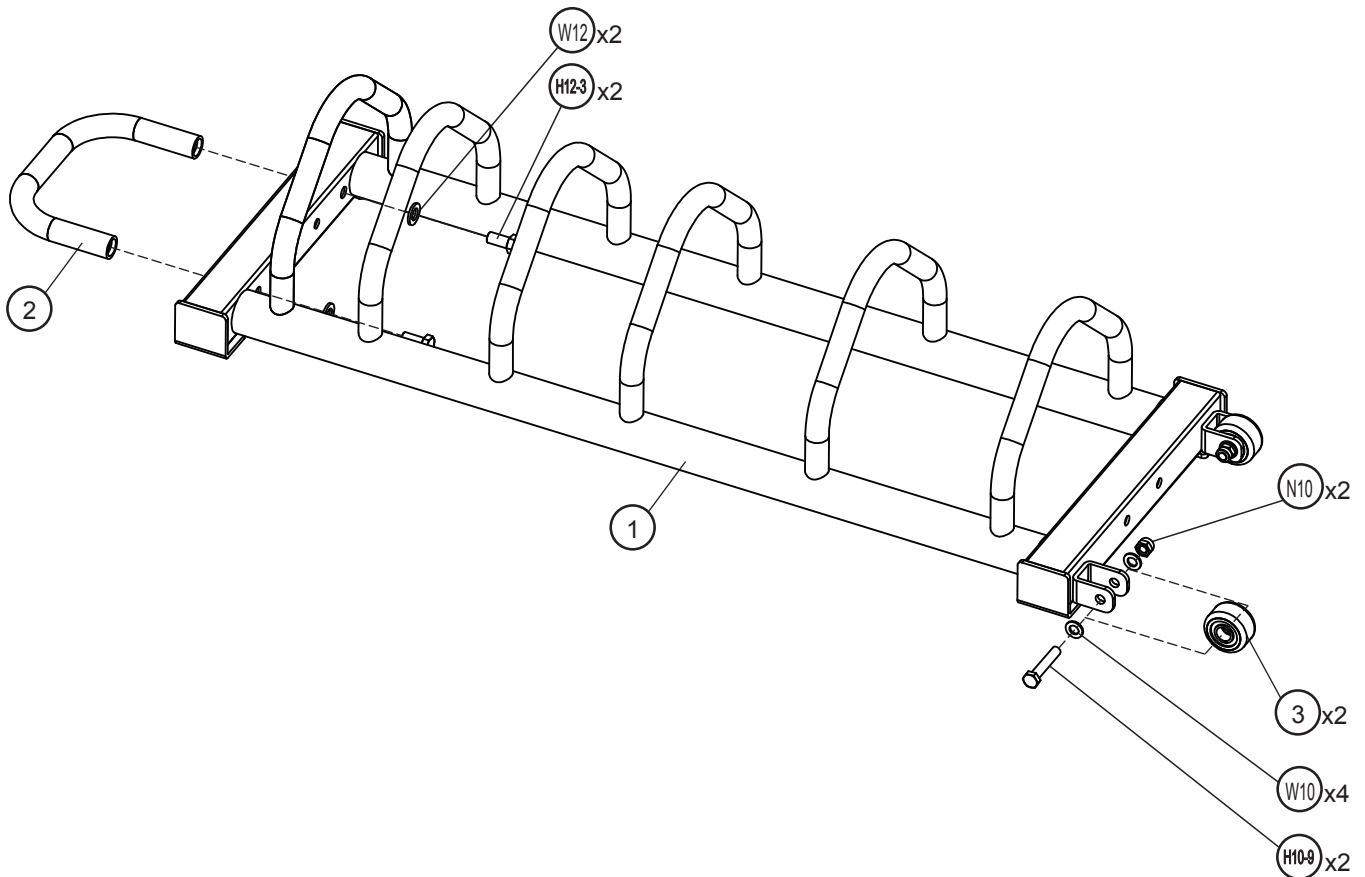


# BUMPER PLATE PACK

Model #: PM230S

## Assembly Instructions



Part#	Description	Qty	Remark
1	Main Frame	1	
2	handle	1	
3	wheel	2	
H10-9	M10x55 mm Hex Head Bolt	2	
H12-3	M12x25 mm Hex Head Bolt	2	
W10	M10 Washer	4	
W12	M12 Washer	2	
N10	M10 Nut	2	